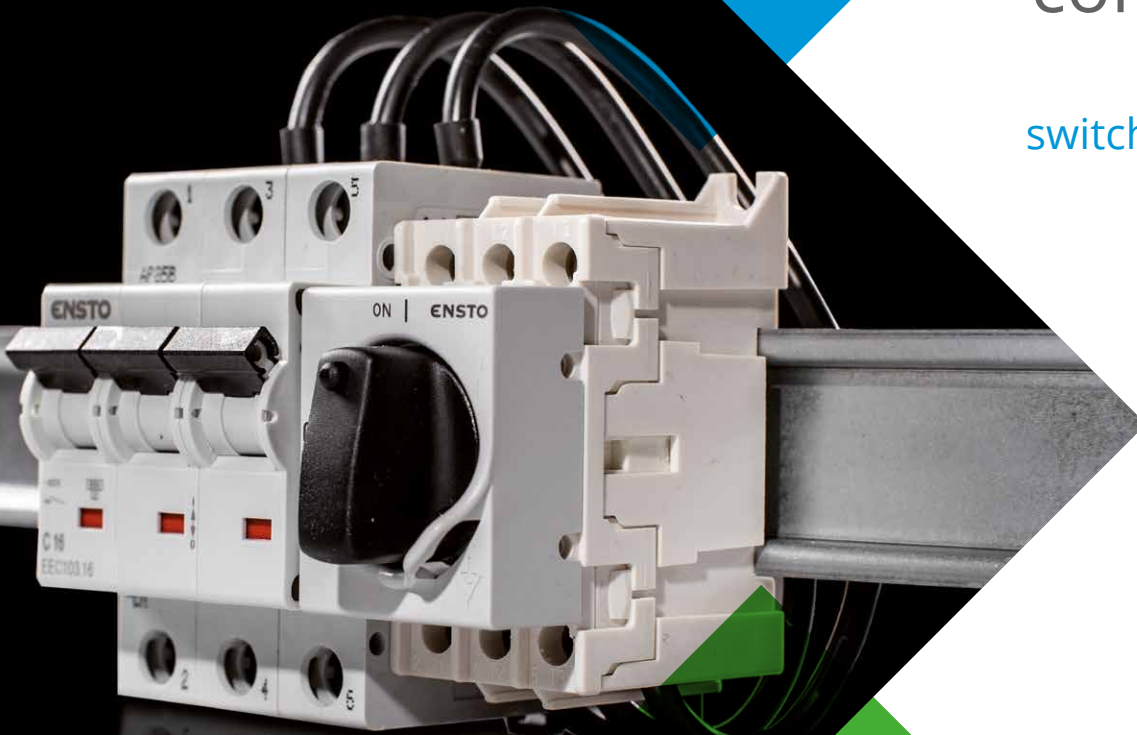


ENSTO

Now available
with flexible
conductors!

Ensto Compact
switch disconnectors



Good old Ensto switch
now available with
flexible conductors!

Better life.
With electricity.

- Flexible conductors for convenient installation to circuit breakers
- Compact, only two modules wide
- Well-known 3-pole switch disconnectors with a new look!

ensto.com

Good old Ensto switch now available with flexible conductors!

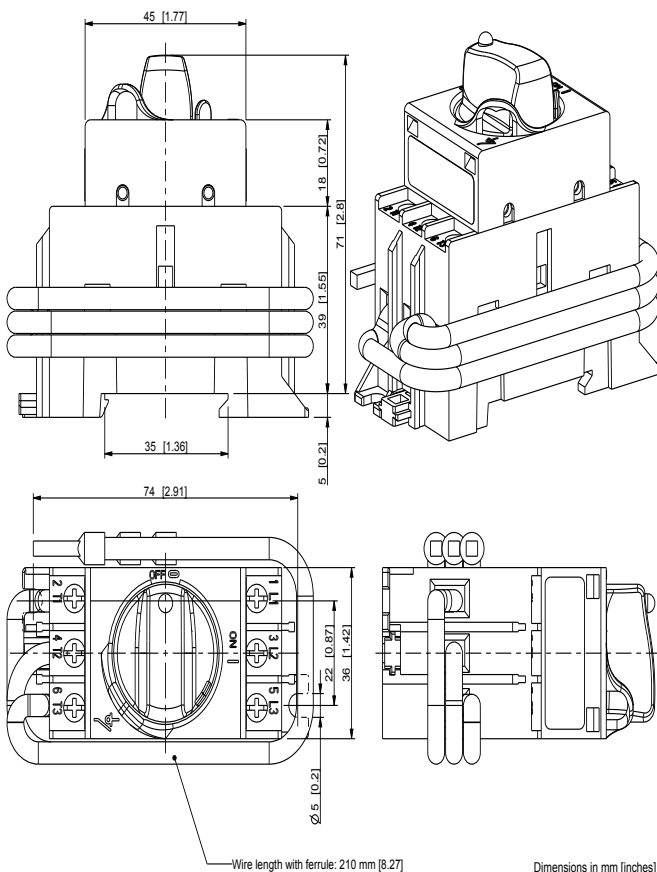
We are proud to offer you the brand new Ensto Compact switch disconnecter range – essentially, it is the well-known 3-pole switch disconnectors with a new look!

The switch disconnectors are available in compact two modules wide sizes and are certified according to EN 60947-3. The range with flexible conductors is suitable for convenient installation to circuit breakers, even in the most advanced applications and systems.



Product code	Amperage	Conductor cross-section	Tightening torque	Pre-assembled conductor			Mounting	Dimensions W x L x H (mm)	Weight (kg)	Package size (pcs)	GTIN-13
				Cross-section	Length	Ferrule length					
KS3.25C	3 x 25 A	Cu 1.5–16 mm ²	2 Nm	Cu 6 mm ²	21 cm	12 mm	Din rail/screw	36 x 81 x 76	0.175	50	6438100343507
KS3.40C	3 x 40 A	Cu 1.5–16 mm ²	2 Nm	Cu 6 mm ²	21 cm	12 mm	Din rail/screw	36 x 81 x 76	0.175	50	6438100343446

Dimensional drawing



Electrical and mechanical characteristics

According to EN 60947-3

	3-pole	KS3.25C	KS3.40C
Conventional free air thermal current I _{th}	A	25	40
Rated insulation voltage U _i	V	800	800
Rated impulse withstand voltage U _{imp}	kV	8	8
Rated operational current I _e	415V	A	25
AC 21 A	500V	A	25
	690V	A	25
AC 22 A	415V	A	25
	500V	A	25
	690V	A	25
AC 23 A	415V	A	25
	500V	A	25
	690V	A	25
Rated operational power P _e	415V	kW	11
AC 23 A	500V	kW	15
(for standard motor)	690V	kW	22
Short-circuit characteristics (415 VAC)			
Rated short-time withstand current, 1s, I _{cw}	Arms	1260	1260
Rated conditional short-circuit current	kArms	50	50
Max. fuse (gG)	A	25	40
Max. cut-off current	kA _{peak}	6	6
Max. Joule integral	kA ² s	6.8	6.8
Making and breaking characteristics			
Making capacity	415V	AC 23 A	A
Breaking capacity	415V	AC 23 A	A
Endurance (number of operations)			
Mechanical		100 000	100 000
Electrical		3 000	3 000
Terminals (Cu)	mm ²	1.5–16	1.5–16
Tightening torque	Nm	2	2

ENSTO

ensto.com

Ensto Finland Oy
 Ensio Miettisen Katu 2, P.O. Box 77
 FIN-06101 Porvoo, Finland
 ensto@ensto.com

